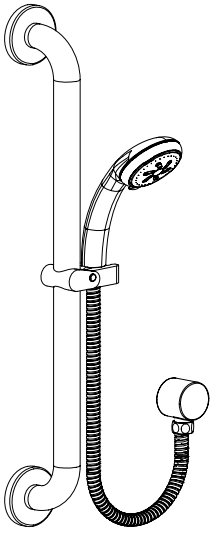


INSTALLATION INSTRUCTIONS

Tools You Will Need



Drill



Pencil



Phillips
Screwdriver



Level

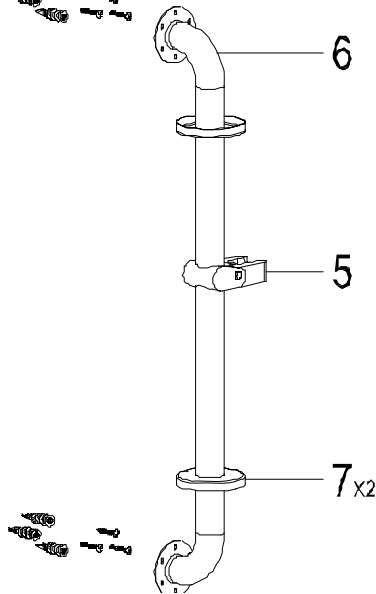
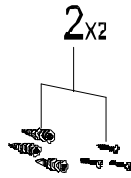


Claw Hammer

Maintenance:

Your new shower system is designed for years of trouble-free performance.

Keep it looking new by cleaning periodically with a soft cloth. Avoid abrasive cleaner, steel wool, and harsh chemicals as these will dull the finish and void your warranty.



Exploded Drawing

- 1 Outlet connection
- 2 Mounting Kit x2
- 3 Metal Hose
- 4 Handheld Shower
- 5 Shower Holder
- 6 Grab bar
- 7 Flange x2

A

*The installation direction must be consistent with the diagram. See the green label.
*Screws MUST be mounted into a wood stud for secure installation.

B

Slide the end cover away from the hub end to expose the mounting flange

C

Place the grab bar on to the wall where desired so that the mounting flange is positioned over a wood stud. Use a level to verify desired placement.

Top/Arriba/Haut
Bottom/Abajo/Bas

D1

Top

2 screws in this area 1 screw in this area

With a pencil, mark three of the mounting locations on each of the two grab bar flanges. Two marks to be made above the grab bar in the area indicated. The third mark to be made below the grab bar in the area indicated.

D2

Top

Drill 2 holes in this area Drill 1 hole in this area

D3

2 screws in this area 1 screw in this area

To ensure proper installation, the Mounting flange must have a screw in each of the positions indicated in the illustration.

E

Top
Bottom

F

x2 7 *

6

Slide covers(7) over grab bar ends

G

1 *

Thread seal tape

